



Electrolux

Kitchen Catalogue 2015



How do we celebrate your passions?

At Electrolux you are more than just a customer to us. You are part of our family and as a result, we care about the things you care for.

Over the past 90 years we have designed our intuitive, thoughtful, and classic products with the things you are passionate about, making us one of the most trusted household brands in the world.

It is our passion and commitment to help you run your home brilliantly and with pride. It is our passion that you have it all, and we do everything in our power to enable you to do just that. We understand how essential it is to have clean clothes and dishes, and deliciously nutritious food - all the things that make up a warm and inviting home.

You have come to the right place to meet the needs of your home and family. Remember, we love looking good, feeling good, and happy guests; and we value the needs of your family like you do.

Your passions are our passions too.

- 02 / Introduction
- 03 / Hobs
- 15 / Portable Induction Cookers
- 16 / Hoods
- 23 / Built-in Ovens
- 33 / Built-in Microwave Ovens
- 35 / Microwave Ovens
- 39 / Dishwashers
- 43 / Installation

Hobs

The hottest hobs with the latest features

A built-in hob has much to offer, such as installation flexibility and freedom to choose your style and finish to suit your kitchen - be it sleek stainless steel or chic ceramic glass. Add in the latest cooking technology and you're all set to cook up a feast, just like a professional.



Choosing your perfect hob

Induction Hobs

The coolest way to hob cook, induction is just like cooking by magnetism - heat is only activated when there is a pan on the hob, and it's instantaneous; which means induction cooking is faster than gas, more energy efficient, and also more controllable.

Ceramic Hobs

Engineered to heat up rapidly, our ceramic hobs guarantee you precise heat selection, coupled with Electronic Touch Controls and easy-to-read LED displays.

Gas Hobs

Our FORZA gas hobs featuring aerated Dual-Jet technology are perfect for a variety of cooking styles from simmering to stir-frying - giving you precise wok-cooking heat, especially when simmering.

How do you prefer to cook?

Induction, gas, and ceramic hobs each have their relative strengths. Gas gives you immediate control over the heat level and the flame provides good visual feedback. Ceramic hobs have a smooth glass-ceramic surface with heating elements under the glass making them easier to keep clean. Induction hobs use electromagnetism to pass heat directly through metal pans making the hob's smooth ceramic surface safe to touch. For a combination of cooking methods on one surface, our Domino hobs offer your ideal configuration of gas and electric heating zones.

How many burners / heating zones will you need?

This depends on your household size and personal preferences. Three burners are usually enough for most homes. The position and layout of the burners are just as important. Most Electrolux hobs are designed to easily accommodate woks and other Asian cookware.

Is child safety your first consideration?

All Electrolux gas hobs come with child-safe knob controls. Our induction hobs generally pose less risk of burn injuries, especially because there's no open flame.

| Product Benefit | Gas | Ceramic | Induction |
|--|-----|---------|-----------|
| High heat output | 🔥 | | 🔥 |
| Fast heat response, superior control | 🔥 | | 🔥 |
| Superior simmering performance | | 🔥 | 🔥 |
| Visual feedback | 🔥 | | |
| Economical to operate | 🔥 | | |
| Flat surface, superior cleaning ease | | 🔥 | 🔥 |
| Auto-off timer convenience | | 🔥 | 🔥 |
| Safe-to-touch cooking surface | | | 🔥 |
| Simple installation, no electrical needs | 🔥 | | |

Keeping it spotless

Induction hobs are easy to keep clean. The smooth ceramic surface can be quickly and effortlessly wiped clean, while spillages cannot burn because the area surrounding the pots stays cool.



Enjoy the freedom of having the space to cook anywhere you want with induction heating. Simply place the pans on the crosses. It automatically adjusts to the shape of pots and pans and heats quickly, so no energy is wasted heating empty areas. You can also combine two cooking zones together, giving you the ability to use any shape pan, even oversized pans. And as the only fully backlit hob in the market you can be sure that you'll always have full visibility.

The InfinitePure™ Hob is beautifully designed. It's seamlessly flat, sleek black design is both aesthetically pleasing and enigmatic. It hides the controls and cooking zones until you need them, a truly unique feature. All you see is a subtle power button and the beauty of pure black glass.



2013

EHD8740FOK

Specifications:

- ▶ 4 Infinite cooking zones with 3.2kW booster for performance
- ▶ Precise heat setting with 14 power levels
- ▶ Direct Access rotary slider control
- ▶ Bridge function - when two zones are used for one vessel, they can be controlled with one Rotary slider
- ▶ Stop+Go function - great for unexpected interruptions
- ▶ Black Ceran Glass
- ▶ Cooking Zone Power: 2.3kW x 4
- ▶ Total Connected Load: 7.4kW
- ▶ Voltage: 220-240V
- ▶ Product Dimension (W x D): 780mm x 520mm
- ▶ Cut-out Dimension (W x H x D): 750mm x 50mm x 490mm

70cm Built-in Induction Hob

EHED63CS

Specification:

- ▶ Pan Detection
- ▶ 4 powerful induction zones for performance and economy
- ▶ Front Touch Controls for ease-of-use
- ▶ Individual timers allow you to time each zone separately
- ▶ Auto Safety Cut-off and Child Lock - for peace of mind
- ▶ Individual Residual Heat Indicators let you know which zones are still hot
- ▶ 9-Level Power Setting
- ▶ 4 Cooking Zone:
 - Right Front: 1.4kW with Booster 1.8kW (Ø145mm)
 - Right Rear: 1.8kW with Booster 2.8kW (Ø180mm)
 - Left Front: 2.3kW with Booster 3.1kW (Ø210mm)
 - Left Rear: 1.4kW with Booster 1.8kW (Ø145mm)
- ▶ Total Connected Load: 7.4kW/30 AMP
- ▶ Voltage: 220-240V
- ▶ Frequency: 50-60Hz
- ▶ Product Dimension (W x D): 610mm x 515mm
- ▶ Cut-out Dimension (W x H x D): 560mm x 55mm x 490mm



60cm Built-in Induction Hob

EHH6332FOK

Specification:

- ▶ Pan Detection
- ▶ Dual ring zone with 180 and 270mm diameter for greater flexibility
- ▶ 3 powerful zone with booster (3.7kW) - for performance and economy
- ▶ Stop+Go function - great for unexpected interruptions
- ▶ Individual timers allow you to time each zone separately
- ▶ Auto Safety Cut-off and Child Lock - for peace of mind
- ▶ Black Ceran Glass with Bevelled 1 side
- ▶ 9-level Power Setting
- ▶ 3 Cooking Zone Power:
 - Left front: 2,300W (Ø210mm)
 - Left Rear: 1,400W (Ø145mm)
 - Right Rear: 1,800W with booster 3,500W (Ø180 - 280mm)
- ▶ Total Connected Load: 7.4kW/30 AMP
- ▶ Voltage: 220-240V
- ▶ Frequency: 50-60Hz
- ▶ Product Dimension (W x D): 590mm x 520mm
- ▶ Cut-out Dimension (W x H x D): 560mm x 55mm x 490mm



60cm Induction Hob

EHC726BA

Specification:

- ▶ 2 induction zones with power booster for performance
- ▶ Front Touch Controls for ease-of-use
- ▶ Individual timers allow you to time each zone separately
- ▶ Auto Safety Cut-off and Child Lock - for peace of mind
- ▶ Individual Residual Heat Indicators let you know which zones are still hot
- ▶ 14-level Power Setting
- ▶ 2 Cooking Zones:
 - Left: 2kW with Booster 2.4kW (Ø210mm)
 - Right: 1.2kW with Booster 1.5kW (Ø145mm)
- ▶ Total Connected Load: 3.4kW/15 AMP
- ▶ Voltage: 220-240V
- ▶ Product Dimension (W x D): 700mm x 420mm
- ▶ Cut-out Dimension (W x H x D): 680mm x 55mm x 400mm



70cm Built-in Induction Hob

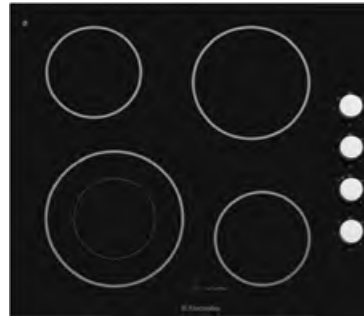
EEH353C

Specification:

- ▶ Pan Detection
- ▶ 2 powerful zones with booster for performance and economy
- ▶ Stop + Go function - great for unexpected interruptions
- ▶ Individual timers allow you to time each zone separately
- ▶ Auto Safety Cut-Off and Child Lock - for peace of mind
- ▶ 14-level Power Setting
- ▶ 2 Cooking Zone:
 - Front: 2.3kW with Booster 3.7kW (Ø210mm)
 - Rear: 1.4kW with Booster 2.5kW (Ø120mm)
- ▶ Total Connected Load: 3.7kW/16AMP
- ▶ Voltage: 220-240V
- ▶ Product Dimension (W x D): 300mm x 520mm
- ▶ Cut-out Dimension (W x H x D): 270mm x 55mm x 490mm



30cm Built-in Induction Hob



60cm Built-in Dual Ring Ceramic Hob

EHEC65BS

- ▶ Dual Ring Zone for greater cooking flexibility
- ▶ 4 rapid power zones with maximum 2.2kW for superior performance
- ▶ 7 power settings for better heat control
- ▶ Individual Residual Heat Indicators let you know which zones are still hot
- ▶ Auto Safety Cut-off - for peace of mind

Specification:

- ▶ Black Ceran Glass
- ▶ 4 Cooking Zones:
 - Left Front: 0.75kW with Booster 2.2kW (Ø120 - 210mm)
 - Left Rear: 1.2kW (Ø140mm)
 - Right Front: 1.2kW (Ø140mm)
 - Right rear: 1.8kW (Ø180mm)
- ▶ Total Connected Load: 6.4kW/30AMP
- ▶ Voltage: 230V
- ▶ Product Dimension (W x D): 610mm x 515mm
- ▶ Cut-out Dimension (W x H x D): 560mm x 47mm x 490mm

EHC326BA



30cm Ceramic Hob

- ▶ Individual Residual Heat Indicators let you know which zones are still hot
- ▶ 2 rapid power zones for superior performance
- ▶ Precise heat setting with 14 power levels
- ▶ Stop + Go function - great for unexpected interruptions
- ▶ Individual timers allow you to time each zone separately
- ▶ Auto Safety Cut-off and Child Lock - for peace of mind

Specification:

- ▶ Black Ceran Glass
- ▶ 2 Cooking Zones:
 - Front: 1,200W (Ø140mm)
 - Rear: 1,800W (Ø170mm)
- ▶ Total Connected Load: 3kW/15AMP
- ▶ Voltage: 220V-240V
- ▶ Product Dimension (W x D): 320mm x 520mm
- ▶ Cut-out Dimension (W x H x D): 300mm x 55mm x 490mm

EHT9331X



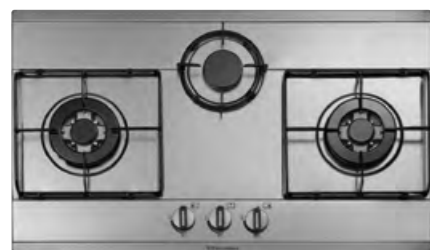
90cm Stainless Steel Gas Hob

- ▶ Enamel pan support
- ▶ Safety Flame Device - gas is cut off at source if the flame fails
- ▶ Flat and smooth surface for easier cleaning
- ▶ 4kW wok burner for superior cooking results
- ▶ One-step ignition - for ease-of-use and convenience

Specification:

- ▶ Stainless Steel Top
- ▶ Burner Power: 4.0kW/2.0kW/1.0kW
- ▶ Product Dimension (W x D): 862mm x 500mm
- ▶ Cut-out Dimension (W x H x D): 832mm x 57mm x 470mm

EHG7332X



76cm Stainless Steel Gas Hob

- ▶ Enamel Pan Support with integrated wok stand for stable wok support
- ▶ Flat and smooth surface - easy to clean
- ▶ 4kW wok burner for superior cooking results
- ▶ One-step ignition - for ease-of-use and convenience

Specification:

- ▶ Stainless Steel Top
- ▶ Burner Power: 4.0kW x 2 / 2kW
- ▶ Product Dimension (W x D): 760mm x 460mm
- ▶ Cut-out Dimension (W x H x D): 732mm x 65mm x 421mm



Safety Flame Device (SFD)

Electrolux gas hobs feature safety thermocouples to ensure the gas is cut off immediately if the flame is accidentally blown out - ensuring peace of mind for you and your family.

EGG3322NOX



30cm Gas Hob

- ▶ Premium, professional cast iron pan support - for sturdy support
- ▶ 2 burners with 3kW for high heat and 1kW for simmering
- ▶ Flat and smooth surface for easier cleaning
- ▶ Safety Flame Device - gas is cut off at source if the flame fails
- ▶ One-step ignition - for ease-of-use and convenience

Specification:

- ▶ Stainless Steel Top
- ▶ Burner Power: 3.0kW/1.0kW
- ▶ Total Connected Load: 4.0kW
- ▶ Voltage: 230V
- ▶ Product Dimension (W x D): 290mm x 510mm
- ▶ Cut-out Dimension (W x H x D): 270mm x 30mm x 490mm

EGG3313NOX



30cm Gas Hob

- ▶ Premium, professional cast iron pan support - for sturdy support
- ▶ 4kW wok burner for superior cooking result
- ▶ Flat and smooth surface for easier cleaning
- ▶ Safety Flame Device - gas is cut off at the source if the flame fails
- ▶ One-step ignition - for ease-of-use and convenience

Specification:

- ▶ Stainless Steel Top
- ▶ Burner Power: 4.0kW
- ▶ Total Connected Load: 4.0kW
- ▶ Voltage: 230V
- ▶ Product Dimension (W x D): 290mm x 510mm
- ▶ Cut-out Dimension (W x H x D): 270mm x 30mm x 490mm

SMART Hobs

It's nice to have a hob that offers innovative technology for perfect cooking results. It's even better when it ensures better peace of mind with the inclusion of safety and sensor features. With the new Electrolux SMART Hob you can always have the right amount of heat to cook the perfect dish, and most importantly the assurance of safety for you and your loved ones.



Why choose SMART Hob?

Get it right. Get it perfect. When it comes to cooking, heat efficiency is vital. The SMART Hob was built bearing this in mind in every aspect of our design. Our Smart Detector feature controls heat temperature and alerts you when food is overheating. This guaranteed precision gives you perfect cooking results every time.



Smart Detector Control
Alerts you when there is overheating to prevent burned food and fire hazards.



Safety Flame Device (SFD)
Automatically cuts off gas if flame is blown out.



Smart Alert Function
Lets you know when the Smart Detector battery is running low.

Unique & innovative features of our SMART Hobs:

Inner Burner
For stable simmering flame with precise heat efficiency

Burner Crown
Increases air circulation on gas combustion to achieve higher heat efficiency

Protection Plate
To prevent backfire from overheating the glass and causing breakages

Brass Connection Nut
Lasting material that connects internal gas pipe to housing for safety measures



Smart Detector
Thermostat sensor which alerts on overheating

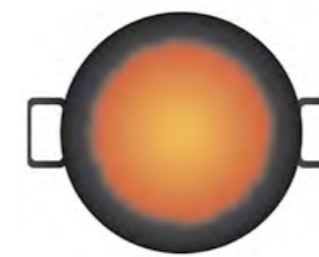
Outer Brass Burner
Durable brass material to withstand intensive heat and prevent burner from reshaping

Dual Valve Burner Housing
To achieve precise heat control on gas dispersion to outer and inner burner



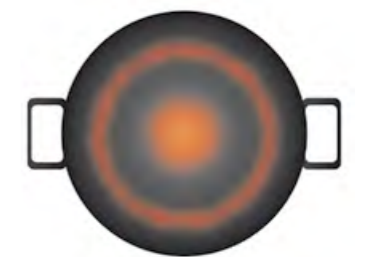
Blue Power Flame
Provides greater heating efficiency.

SMART Gas Hobs



58% Heat Efficiency

Standard Gas Hobs



57% Heat Efficiency

Comparison of heat efficiency between gas hobs

EGT7526CK



78cm SMART Gas Hob

- ▶ SMART Detector to prevent fire hazard
- ▶ Blue power flame, 5.0kW
- ▶ Bigger heating area, high heat efficiency reached 58%
- ▶ Safety Flame Device - gas is cut off if the flame fails
- ▶ Stainless steel frame for aesthetic design and to prevent chipping
- ▶ Low Battery Alert Function
- ▶ Safety glass cooktop - resists hard knocks, high heat and easy to clean

Specification:

- ▶ Black Safety Glass
- ▶ Burner Power: 5.0kW x 2
- ▶ Cast iron pan support
- ▶ Product Dimension (W x D): 780mm x 460mm
- ▶ Cut-out Dimension (W x H x D): 700mm x 160mm x 400mm

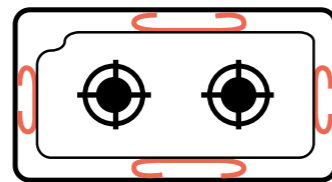


Facing difficulties in finding a Replacement Cooktop for your kitchen?

WORRY NO MORE!

The Electrolux range of FLEXI Hobs features a host of innovations that make life in the kitchen easier. Equipped with flexible built-in dimensions that suit all existing cooktop sizes and a unique Safety Flame Device feature that increases safety, you'll find it the right complement for your perfect kitchen.

HOW IT WORKS?



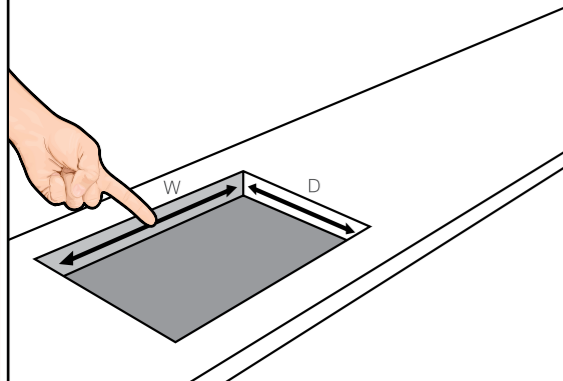
TOP VIEW

STEP 1

Lift up your old, existing cooktop. Check the built-in size/measurements. Electrolux FLEXI hobs fit the following dimensions:

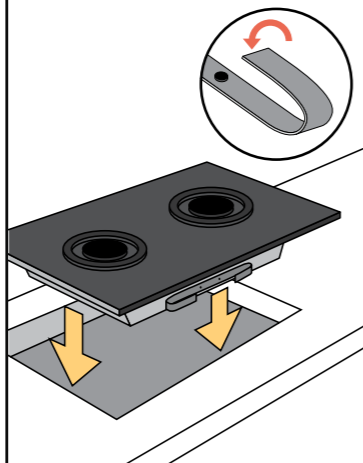
3 Burners (EGT9038CK)
(W750mm - 840mm) x (D400mm - 480mm)

2 Burners (EGT8028CK)
(W676mm - 740mm) x (D361mm - 440mm)



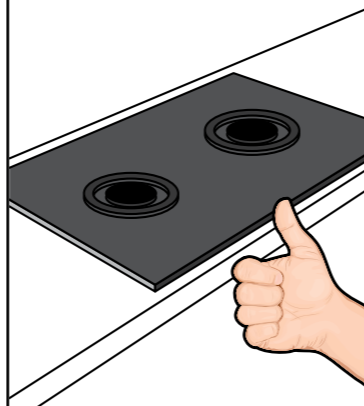
STEP 2

Install the Electrolux FLEXI hob into your existing cooktop space to replace the old cooktop. If you find a gap between the kitchen countertop side and the bottom plate, bend the Flexi-Stopper to stabilise your new cooktop.



STEP 3

For more information, please get further advice from our authorised dealers. Now you can cook your favourite dishes more efficiently; cleaning up is easier too!



FLEXI Hobs

Fits your life perfectly and makes life easier, too!

Now we have the perfect solution for you with the option of choosing either 2 Burners or 3 Burners to fit perfectly in your existing cooktop space without spoiling any parts of your cooktop structure.

This helps you save money as you do not need to replace your cooktop structure.



EGT9038CK



90cm FLEXI Gas Hob

- ▶ Flexible built-in measurement to suit variable existing cooktop size
- ▶ SABAF 5.0kW wok burner with Dual Valve - precise heat control for superior results
- ▶ High Heat Efficiency of 58% provides fast heat-up and saves on gas consumption
- ▶ Aerated Dual-Jet technology for powerful flame and rapid heat-up
- ▶ Safety Flame Device made in Japan - gas is cut-off at the source if the flame fails
- ▶ Cast Iron Pan Support with integrated wok stand for stable wok support

Specification:

- ▶ Black Safety Glass
- ▶ Burner Power: 5.0kW x 2 / 1.8kW
- ▶ Battery Powered One-Step Ignition
- ▶ Product Dimension (W x D): 890mm x 530mm
- ▶ Cut-out Dimension (W x H x D): (750-840)mm x 65mm x (400-480)mm

EGT8028CK



80cm FLEXI Gas Hob

- ▶ Flexible built-in measurement to suit variable existing cooktop size
- ▶ SABAF 5.0kW wok burner with Dual Valve - precise heat control for superior results
- ▶ High Heat Efficiency of 58% provides fast heat-up and saves on gas consumption
- ▶ Aerated Dual-Jet technology for powerful flame and rapid heat-up
- ▶ Safety Flame Device made in Japan - gas is cut-off at the source if the flame fails
- ▶ Cast Iron Pan Support with integrated wok stand for stable wok support

Specification:

- ▶ Black Safety Glass
- ▶ Burner Power: 5.0kW x 2
- ▶ Battery Powered One-Step Ignition
- ▶ Product Dimension (W x D): 800mm x 500mm
- ▶ Cut-out Dimension (W x H x D): (676-740)mm x 65mm x (361-440)mm



FORZA Hobs

Revolutionise the way you cook the fun way. Create flavourful dishes in your kitchen with the powerful performance and efficiency of Electrolux FORZA Hobs.



Blue Power Flame
Provides greater heating efficiency.



Safety Flame Device (SFD)
Automatically cuts off gas if flame is blown out.



Aerated Dual-Jet
Offers a powerful flame and rapid heat up.



SABAF Crown Burner
Produces high heat and a steady flame for efficient cooking.

EGT9637CK



90cm FORZA Gas Hob

- ▶ SABAF 5.0kW wok burner with Dual Valve - precise heat control for superior results
- ▶ High Heat Efficiency of 58% provides fast heat-up and saves on gas consumption
- ▶ Aerated Dual-Jet technology for powerful flame and rapid heat-up
- ▶ Safety Flame Device made in Japan - gas is cut-off at the source if the flame fails
- ▶ Cast Iron Pan Support with integrated wok stand for stable wok support
- ▶ Safety glass cooktop - resists hard knocks, high heat and easy to clean

Specification:

- ▶ Black Safety Glass
- ▶ Burner Power: 5.0kW x 2/1.8kW
- ▶ Battery Powered One-Step Ignition
- ▶ Product Dimension (W x D): 894mm x 508mm
- ▶ Cut-out Dimension (W x H x D): 832mm x 57mm x 470mm

EGT7637CK



78cm FORZA Gas Hob

- ▶ SABAF 5.0kW wok burner with Dual Valve - precise heat control for superior results
- ▶ High Heat Efficiency of 58% provides fast heat-up and saves on gas consumption
- ▶ Aerated Dual-Jet technology for powerful flame and rapid heat-up
- ▶ Safety Flame Device made in Japan - gas is cut-off at the source if the flame fails
- ▶ Cast Iron Pan Support with integrated wok stand for stable wok support
- ▶ Safety glass cooktop - resists hard knocks, high heat and easy to clean

Specification:

- ▶ Black Safety Glass
- ▶ Burner Power: 5.0kW x 2/1.8kW
- ▶ Battery Powered One-Step Ignition
- ▶ Product Dimension (W x D): 780mm x 460mm
- ▶ Cut-out Dimension (W x H x D): 732mm x 65mm x 421mm

EGT7627CK



78cm FORZA Gas Hob

- ▶ SABAF 5.0kW wok burner with Dual Valve - precise heat control for superior results
- ▶ High Heat Efficiency of 58% provides fast heat-up and saves on gas consumption
- ▶ Aerated Dual-Jet technology for powerful flame and rapid heat-up
- ▶ Safety Flame Device made in Japan - gas is cut-off at the source if the flame fails
- ▶ Cast Iron Pan Support with integrated wok stand for stable wok support
- ▶ Safety glass cooktop - resists hard knocks, high heat and easy to clean

Specification:

- ▶ Black Safety Glass
- ▶ Burner Power: 5.0kW x 2
- ▶ Battery Powered One-Step Ignition
- ▶ Product Dimension (W x D): 780mm x 460mm
- ▶ Cut-out Dimension (W x H x D): 732mm x 65mm x 421mm

EGT7637EG



78cm FORZA Gas Hob

- ▶ SABAF 5.0kW wok burner with Dual Valve precise heat control for superior results
- ▶ High Heat Efficiency of 58% provides fast heat-up and saves on gas consumption
- ▶ Aerated Dual-Jet technology for powerful flame and rapid heat-up
- ▶ Safety Flame Device made in Japan - gas is cut-off at the source if the flame fails
- ▶ Enamel Pan Support with integrated wok stand for stable wok support
- ▶ Safety glass cooktop - resists hard knocks, high heat and easy to clean

Specification:

- ▶ Grey Safety Glass
- ▶ Burner Power: 5.0kW x 2/1.8kW
- ▶ Battery Powered One-Step Ignition
- ▶ Product Dimension (W x D): 780mm x 460mm
- ▶ Cut-out Dimension (W x H x D): 732mm x 65mm x 421mm



Makes cooking easy wherever you go

Not requiring any installation, the Portable Induction Cooker is one of the best and most versatile cooking devices, allowing you to cook in any part of your home. With a Keep Warm setting, the cooker maintains food at perfect serving temperature at all times. Its Time Setting system ensures that your meals get done just right for any occasion, whether cooking or when entertaining.



Touch Control

Lets you easily control the cooker with 2 pre-set programmes.



Pot Detection Sensor

Switches off the cooker when there is no pot in place.



180-Minute Timer

Allows for long simmering time when needed.



Child Lock

Gives you added safety and protection.

ETD29PKB



Portable Induction Cooker

- ▶ Easy-to-clean Glass Surface
- ▶ 8 Power Levels
- ▶ Touch Control with 2 Pre-set Programmes
- ▶ 180-Minute Timer
- ▶ Pot Detection Sensor
- ▶ Auto Cut-off and Child Lock
- ▶ Extra Long 2m Cable

Specification:

- ▶ Black Glass
- ▶ Red LED Display
- ▶ 8 Power Levels
- ▶ Total Connected Load: 2.0kW
- ▶ Voltage: 220-240V
- ▶ Frequency: 50 / 60Hz
- ▶ Product Dimension (W x H x D): 280mm x 370mm x 65mm
- ▶ Triple-base pot included


Electrolux



Hoods

Take a breath of fresh air in style

Big is beautiful when it comes to cooker hoods. Crafted with you and your needs in mind, our range of modern hoods are quiet, effective, and as dramatically bold or stylishly subtle as you want them to be.

With more of us living, eating, and entertaining in the kitchen, a good cooker hood has never been more important.

From stunning centrepieces to discreetly functional models, the aesthetics of the Electrolux cooker hood range complement the other kitchen appliances - right down to the designer light detail found on some of the top models. Clever use of lighting forms a practical role in illuminating the hob, as well as creating the perfect ambience for food preparation.

Take your pick. Which hood fits you best?

Island Hoods

Designed to be suspended over a central cooking island, Island Hoods create a dynamic focal point in the kitchen.

Panel Designer Hoods

Designed to add sophistication and modernised style to your kitchen, Panel Designer Hoods combine smooth black glass with stainless steel for a luxurious look and feel.

Chimney Hoods

Designed to provide a visual focus whilst offering various styles and widths to suit your kitchen, Chimney Hoods both perform well and please the eye.

Slimline Hoods

With easy-to-reach front controls, Slimline Hoods fit underneath a wall cupboard neatly.



Hear it sizzle...

...or the conversation flow. Our InverterTechnology makes for quiet motor operation. And in SilentMode, it needs less energy to run than a standard light bulb (12W to absorb 200m³/h).

Whisked away

Perimetral Aspiration, the innovative design of our extraction system enables our hoods to capture fumes that often slip into the kitchen. The new design reduces the number of openings in the hood increasing the efficiency and reducing maintenance, less opening makes the hood easier to clean.

Less is more

Effectively clears the air and you barely know it's working - all while making less noise and using 70% less energy.



Leave it to the sensor

With our Automatic Smoke & Vapour sensor, your hood will adjust its performance according to the amount of smoke and vapour in your kitchen

Atmospheric effects

Our dimming light adds a sophisticated visual touch when you switch the hood light on or off. Another bright idea: our LEDs reduce energy consumption by up to 70% compared to standard light bulbs

Run It for less

Our hoods are highly efficient, using less energy than standard models. This is thanks to our brushless inverter Technology. In fact, when you run the hood at its maximum speed (BoostModel), you'll use up to 40% less energy than standard models. And at the minimum setting (SilentMode) the power consumption is only 10% compared to a standard hood.

EFB90680BX



90cm Stainless Steel Chimney Hood



- ▶ Intensive 1,100m³/h maximum airflow, reducing clean-up time
- ▶ IQ Touch with 5 fan speeds for ease of use
- ▶ Vapour sensor - automatically select the speed based on the temperature during cooking
- ▶ Inverter motor - provide higher efficiency, less energy consumption
- ▶ Perimetral Aspiration - the perfect smoke removal system
- ▶ White LCD display with touch controls
- ▶ Dimming LED light - select your light level, less energy consumption
- ▶ For recirculation or extraction operation mode

Specification:

- ▶ Stainless Steel / Black Panel
- ▶ Max Extraction Rate: 1,100m³/h
- ▶ Noise Level: 67 dB(A)
- ▶ Carbon Filter: Included
- ▶ Air Outlet: 150mm
- ▶ Motor Power: 270W
- ▶ 2W LED Lamp x 4
- ▶ Total Connected Load: 278W
- ▶ Voltage: 220-240V
- ▶ Frequency: 50Hz
- ▶ Dimension (W x H x D): 898mm x (800-940)mm x 470mm



Smoke and odour free air in half the time

Electrolux range hoods can cut cleaning time in half with thoughtfully designed features that rid your kitchen of oil, smoke, and odours even as you cook.

- Wider Fan Inlet**
Frees your kitchen from strong smoke and odours with a wider and innovative fan housing design.
- High Air Pressure**
Provides a quick and efficient exhaust system for smoke and odours.
- Power Boost**
- Dual Filter**
Guarantees 100% zero oil drops on your kitchen floor.
- IQ Touch**
Gives you easy and intuitive touch controls at your fingertips.

EFL925MAR



90cm Island Hood



- ▶ Intensive 900m³/h Maximum Airflow
- ▶ Electronic Controls and 3 Fan Speeds
- ▶ Multi-layer Grease Filtration
- ▶ Dimming LED Light
- ▶ Recirculation or Extraction Operation Modes

Specification:

- ▶ Stainless Steel / Mirror Panel
- ▶ Extraction Rate: 900m³/h
- ▶ Carbon Filter
- ▶ Air Outlet: 150mm
- ▶ Motor Power: 270W
- ▶ Lamp Power: LED 4 x 1.5W
- ▶ Total Connected Load: 276W
- ▶ Voltage: 220-240V
- ▶ Frequency: 50Hz
- ▶ Dimension (W x H x D): 900mm x (760-1,011)mm x 623mm

EFLI0550DX



90cm Inspiration Island Hood



- ▶ Intensive 720m³/h Maximum Airflow to get rid of fume
- ▶ Electronic controls and 4 fan speeds for ease-of-use
- ▶ Efficient multi-layer grease filtration to get rid of more grease
- ▶ Brighter halogen lighting for better illumination
- ▶ For recirculation or extraction operation mode

Specification:

- ▶ Stainless Steel / Black Panel
- ▶ Max Extraction Rate: 720m³/h
- ▶ Noise Level: 63 dB(A)
- ▶ Carbon Filter: Included
- ▶ Air Outlet: 150mm
- ▶ Motor Power: 140W
- ▶ 20W Halogen Lamp x 4
- ▶ Total Connected Load: 220W
- ▶ Voltage: 220-240V
- ▶ Frequency: 50Hz
- ▶ Dimension (W x H x D): 998 x (910-1,150)mm x 700mm

EFC926SA



90cm Dual Filter Stainless Steel Hood



- ▶ Power Boost with 1,400m³/h Maximum Airflow
- ▶ Clog-free Dual Filter System
- ▶ IQ Touch with 4 Fan Speeds
- ▶ Delay Auto-Off Timer
- ▶ 3-Level LED Light
- ▶ Extraction Operation Mode

Specification:

- ▶ Stainless Steel + Black
- ▶ Max Extraction Rate: 1,400m³/h
- ▶ Air Outlet: 150mm
- ▶ Motor Power: 240W
- ▶ Fan Speeds: 4 speeds
- ▶ LED Lights
- ▶ IQ Touch
- ▶ Flat Dual Filter
- ▶ Voltage: 220-240V
- ▶ Frequency: 50Hz
- ▶ Dimension (W x H x D): 900mm x (612-1,092)mm x 500mm

EFC926BAR

90cm Inspiration Chimney Hood



- ▶ Power Boost with Maximum 1,300 m³/h Airflow
- ▶ IQ Touch with 4 Fan Speeds
- ▶ Delay Auto-Off Timer
- ▶ 3-Level LED Light
- ▶ Recirculation or Extraction Operation Modes

Specification:

- ▶ Max Extraction Rate: 1,300m³/h
- ▶ Fan Speeds: 4 speeds
- ▶ Carbon Filter: Included
- ▶ Air Outlet: 150mm
- ▶ Motor Power: 240W
- ▶ LED Lights
- ▶ IQ Touch
- ▶ Voltage: 220-240V
- ▶ Frequency: 50Hz
- ▶ Dimension (W x H x D): 895mm x (518-1,158)mm x 500mm

EFP9520X

90cm Stainless Steel Telescopic Hood

- ▶ Contemporary Slim Design
- ▶ Powerful 520m³/hr Maximum Airflow
- ▶ Efficient 5-layer Grease Filtration
- ▶ Slide-out Control with 3 Fan Speeds
- ▶ Recirculation or Extraction Operation Modes

Specification:

- ▶ Max Extraction Rate: 520m³/hr
- ▶ Air Outlet: 120mm
- ▶ Power Motor: 250W
- ▶ Carbon Filter
- ▶ 40W Halogen Lamp x 2
- ▶ Total Connected Load: 330W
- ▶ Voltage: 220-240V
- ▶ Frequency: 50Hz
- ▶ Dimension (W x H x D): 898mm x 175mm x (280-460)mm

EFC936GAR

90cm Designer Chimney Hood



- ▶ Curved Glass Design
- ▶ Powerful 1,100m³/h Maximum Airflow
- ▶ IQ Touch with 3 Fan Speeds
- ▶ 5-layer Grease Filtration
- ▶ LED Light
- ▶ Recirculation or Extraction Operation Modes

Specification:

- ▶ Max Extraction Rate: 1,100m³/h
- ▶ Air Outlet: 150mm
- ▶ Motor Power: 270W
- ▶ LED Lights
- ▶ IQ Touch
- ▶ Fan Speeds: 3 Speeds
- ▶ Total Connected Load: 274W
- ▶ Voltage: 220-240V
- ▶ Frequency: 50Hz
- ▶ Carbon Filter
- ▶ Dimension (W x H x D): 900mm x (560-1055)mm x 500mm

EFT9516X

90cm Stainless steel Slimline Hood

- ▶ Powerful 550m³/hr Maximum Airflow
- ▶ Multi-layer Grease Filtration
- ▶ Carbon Filter
- ▶ 3 Fan Speeds
- ▶ Front Recirculation or Extraction Operation Modes

Specification:

- ▶ Max Extraction Rate: 550m³/h
- ▶ Noise Level: 50-60 dB(A)
- ▶ Carbon Filter: Included
- ▶ Air Outlet: 150mm
- ▶ Motor Power: 60W x 2
- ▶ 20W Bulb Lamp x 2
- ▶ Total Connected Load: 170W
- ▶ Voltage: 220-240V
- ▶ Frequency: 50Hz
- ▶ Dimension (W x H x D): 900mm x 135mm x 500mm

EFC935SAR

90cm Inspiration Chimney Hood



- ▶ Powerful 1100m³/h Maximum Airflow
- ▶ IQ Touch with 3 Fan Speeds
- ▶ 5-layer Grease Filtration
- ▶ LED Light
- ▶ Recirculation or Extraction Operation Modes

Specification:

- ▶ Max Extraction Rate: 1,100m³/h
- ▶ Air Outlet: 150mm
- ▶ Motor Power: 270W
- ▶ LED Lights
- ▶ Fan Speeds: 3 Speeds
- ▶ Total Connected Load: 274W
- ▶ Voltage: 220-240V
- ▶ Frequency: 50Hz
- ▶ Carbon Filter
- ▶ Dimension (W x H x D): 900mm x (565-1060)mm x 504mm

Creativity and flavour in every bite



Built-in Ovens

Make every meal a masterpiece

Whether you are a serial entertainer, a seasoned chef, or a novice cook, Electrolux offers you a choice of ovens that let you express your individual taste and cooking style, effortlessly.

The oven is no doubt one of the most important appliances in your kitchen

Designed with simple intuitive controls, easy-to-read displays, and pre-programmed settings, every Electrolux oven helps you achieve professional results every time. Now you can confidently experiment with even the most ambitious recipes.

-  **Rapid Heat / Fast Heat-Up**
Heat comes from the element surrounding the fan and the top element. This preheats the oven 30% quicker, making it ideal for cooking frozen pre-cooked food.
-  **Fan Bake**
Heat comes from two elements - top and bottom. Set at 20°C - 40°C lower than conventional heat, the fan circulates the hot air around the oven cavity to allow you to bake up to 2 levels at the same time.
-  **Moist Fan Baking**
Saves energy when you bake and cook dry goods. Also good for baking on one shelf position.
-  **Ultrafan®**
Heat comes from the element surrounding the fan for faster heat-up and shorter cooking times at lower temperatures. Evenly circulates the hot air around the oven cavity for even cooking results. Ideal for baking or cooking on up to 3 levels.
-  **Drying**
For drying sliced fruit (e.g. apples, plums, peaches) and vegetables (e.g. zucchini, mushrooms).
-  **Pizza**
Heat comes from the bottom elements and is spread evenly around the oven by the fan. Ensures a nice crispy base with succulent, melting toppings.
-  **Convectional Heat**
Heat comes from two elements - top and bottom. Bake and roast on one level. Suitable for cakes, muffins, pizzas, roasts, and delicate egg dishes.
-  **Top Heat**
Heating comes from the top element - ideal for broiling.
-  **Bottom Heat**
Heat comes from the bottom element. Ideal for crispy pastries or pizza bases, re-heating food, and warming plates (if used at low temperature). Uses the lower shelf.
-  **Preserving**
For making vegetable preserves (e.g. pickles).
-  **Grill**
Heat comes from the top grill element which directs radiant heat onto the food. Used for grilling food such as steak, chops, sausages, and fish. May also be used for toasting.
-  **Fan Grill**
Heat comes from 2 powerful top grill elements which direct radiant heat onto the food. Used for grilling large quantities of food and cooks faster than the normal grill.
-  **Fast Grill**
Heat comes from 2 powerful top grill elements which direct radiant heat onto the food. Used for grilling large quantities of food and cooks faster than the normal grill.
-  **Au Gratin**
For preparing dishes like lasagna or potato gratin. Also used to brown.
-  **Turbo Grill**
Heat comes from two powerful top grill elements and is spread evenly around the oven by the fan, allowing for faster and more precise cooking results. Used for roasting larger joints of meat or poultry on one level. Suitable for browning.
-  **Eco Roasting**
Optimises energy consumption during cooking. It is necessary to set the cooking time first. To get more information about the recommended settings, refer to the cooking tables with the equivalent heating function.
-  **Slow Cooking**
Uses low temperature air to gently cook food. Ideal for casseroles and joints.
-  **Keep Warm**
Keeps food warm by maintaining the temperature at 80°C to prevent food from becoming dry.
-  **Light**
Allows you to have a clear look inside the oven whenever needed.
-  **Defrost / Frozen Food**
Uses low temperature air that is circulated by the fan for easy defrosting.
-  **ECO Steam**
Optimises energy consumption during cooking. It is necessary to set the cooking time first. To get more information about the recommended settings, refer to the cooking tables with the equivalent heating function.
-  **Full Steam**
For steaming fruits, vegetables, fish, potatoes, rice, pasta, or special side-dishes.
-  **Dough Proving**
For raising the yeast/dough before baking.
-  **Half Steam + Heat**
For dishes with a high moisture content and for poaching fish, custard royale, and terrines.
-  **Quarter Steam + Heat**
To bake bread, roast large pieces of meat, or to warm up chilled and frozen meals.
-  **Steam Reheat**
To reheat your already cooked food directly.
-  **Bread Baking**
For baking bread.

* Oven functions vary from model to model

Inspiro Oven

Cook and entertain with confidence

Infused with built-in intelligence to help you spice up your cooking skills and inspire you to try new dishes; just turn the wheel to tell the oven what you're making. Voila! Automatically great results, every time.



InfiSpace™

Offers 25% extra space for flexible cooking.



UltraFan Plus

Keeps the cooking temperature consistent to cook food evenly on every shelf.



Eco Roasting

Optimises energy consumption during cooking.



Self Cleaning

Automatically cleans all of the oven so you won't have to do it by hand.



CoolDoor Xtra

Offers heat-reflective inner and outer glass panes in the oven door to ensure the outer door temperature is cooler.

Self Cleaning - ovens that clean themselves

The only cleaning function that cleans all of the oven - top, sides, back, door, light, and oven base. Efficient and extremely safe to use with the oven being designed around the pyrolytic function, rather than the other way round.

- ▶ Removes the need to spend time cleaning your oven by hand
- ▶ More friendly to the environment with no need to use cleaning products on your oven

More space to create

Imagine being able to cook family-sized dishes with all the trimmings, or three courses at once in a single oven. It's now a reality, thanks to the InfiSpace™ oven range. Open the door to discover the most flexible cooking space around.



EOY5851AAX



60cm Built-in Automatic Oven



- ▶ InfiSpace™ - extra large cavity and tray for cooking flexibility
- ▶ Menu guided cooking function with 76 Auto menus for professional cooking results
- ▶ White LCD display with touch controls
- ▶ UltraFanPlus - efficiently circulates air for consistent results on every shelf
- ▶ Pyrolytic cleaning - the truly hassle-free self-cleaning system
- ▶ 4-layer glass CoolDoor Xtra with Pyro door lock for added safety
- ▶ Meat Probe - ensures your fish or meat is cooked to your taste

Accessories:

- ▶ Chrome Grill Tray, Trivet, Roast/Grill Tray, Meat Probe

Specification:

- ▶ 74-litre Oven Capacity
- ▶ Total Input Rating: 3,680W
- ▶ Voltage: 220-240V
- ▶ Frequency: 50Hz
- ▶ Product Dimension (W x H x D): 594mm x 594mm x 567mm
- ▶ Built-in Dimension (W x H x D): 560mm x 590mm x 550mm

12 Cooking Functions:



EOB5751BAX



60cm Built-in Oven



- ▶ InfiSpace™ - extra large cavity and tray for cooking flexibility
- ▶ White LCD display with touch controls
- ▶ UltraFanPlus - efficiently circulates air for consistent results on every shelf
- ▶ 9 Auto menus for guaranteed cooking results
- ▶ 4-layer glass CoolDoor Xtra for added safety
- ▶ Meat Probe - ensures your fish or meat is cooked to your taste

Accessories:

- ▶ Baking Tray, Enamel Universal Pan, Chrome Grill Tray

Specification:

- ▶ 74-litre Oven Capacity
- ▶ Total Input Rating: 3,680W
- ▶ Voltage: 220-240V
- ▶ Frequency: 50Hz
- ▶ Product Dimension (W x H x D): 594mm x 594mm x 567mm
- ▶ Built-in Dimension (W x H x D): 560mm x 590mm x 550mm

10 Cooking Functions:





Modern, sleek design panel that works exactly like you expect it to – easily and intuitively.



Thanks to the new UltraFan Plus feature, heat is circulated evenly throughout the oven ensuring that food is cooked in the same way wherever it has been placed in the oven. The fan diameter has become larger with a bigger central opening. This reduces the air speed and turbulence where the air enters the fan housing.

Even keeled

All-purpose cooking in a masterful oven that always cooks evenly. Beautifully designed panels that are simple to use.

Bigger on the inside, same on the outside

With up to 74 litres of oven space at your service, you can bake, roast, and grill to your heart's content. More food can also be cooked in one go – offering you more control, convenience, and savings in energy and time.



60cm Built-in Oven



EOB5410BOX

Specification:

- ▶ InfiSpace™ - extra large cavity and tray for cooking flexibility
- ▶ UltraFanPlus - efficiently circulates air for consistent results on every shelf
- ▶ Turbo grilling combines grill and fan for spit roast effect
- ▶ Fully programmable timer allows you to plan ahead
- ▶ 3-layer glass CoolDoor Xtra for added safety

Accessories:

- ▶ Baking Tray, Enamel Universal Pan, Chrome Grill Tray

- ▶ 74-litre Oven Capacity
- ▶ Total Input Rating: 3,500W
- ▶ Voltage: 230-240V
- ▶ Product Dimension (W x H x D): 594mm x 594mm x 567mm
- ▶ Built-in Dimension (W x H x D): 560mm x 590mm x 550mm

8 Cooking Functions:



60cm Built-in Oven



EOB2200BOX

Specification:

- ▶ InfiSpace™ - large cavity and tray for cooking flexibility
- ▶ Mechanical Timer Control with Auto- off function
- ▶ Fan-assisted heat circulation for superior cooking result
- ▶ Smooth enamel interior - easier to clean

Accessories:

- ▶ Enamel Universal Pan, Chrome Grill Tray

- ▶ 70-litre Oven Capacity
- ▶ Total Input Rating: 2,780W
- ▶ Voltage: 230-240V
- ▶ Product Dimension (W x H x D): 594mm x 594mm x 567mm
- ▶ Built-in Dimension (W x H x D): 560mm x 590mm x 550mm

6 Cooking Functions:



60cm Built-in Oven



EOB3400BOX

Specification:

- ▶ InfiSpace™ - extra large cavity and tray for cooking flexibility
- ▶ UltraFanPlus - efficiently circulates air for consistent results on every shelf
- ▶ Turbo grilling combines grill and fan for spit roast effect
- ▶ Fully programmable timer allows you to plan ahead

Accessories:

- ▶ Baking Tray, Enamel Universal Pan, Chrome Grill Tray

- ▶ 74-litre Oven Capacity
- ▶ Total Input Rating: 2,780W
- ▶ Voltage: 230-240V
- ▶ Product Dimension (W x H x D): 594mm x 594mm x 567mm
- ▶ Built-in Dimension (W x H x D): 560mm x 590mm x 550mm

8 Cooking Functions:



60cm Built-in Oven



EOB2100COX

Specification:

- ▶ Mechanical Timer Control
- ▶ Fan-assisted Heat Circulation
- ▶ Smooth Enamel Interior
- ▶ Double Layer Glass Door

Accessories:

- ▶ Enamel Universal Pan, Chrome Grill Tray

- ▶ 56-litre Oven Capacity
- ▶ Total Input Rating: 2,515W
- ▶ Voltage: 220-240V
- ▶ Frequency: 50/60Hz
- ▶ Product Dimension (W x H x D): 594mm x 590mm x 560mm
- ▶ Built-in Dimension (W x H x D): 560mm x 593mm x 550mm
- ▶ Energy Class A

6 Cooking Functions:



60cm Built-in Oven



EOB2400AOX

Specification:

- ▶ InfiSpace™ - extra large cavity and tray for cooking flexibility
- ▶ Electronic Temperature Control for superior cooking result
- ▶ Fully programmable timer allows you to plan ahead
- ▶ Fan-assisted heat circulation for superior cooking results

Accessories:

- ▶ Enamel Universal Pan, Chrome Grill Tray

- ▶ 74-litre Oven Capacity
- ▶ Total Input Rating: 2,780W
- ▶ Voltage: 230-240V
- ▶ Product Dimension (W x H x D): 594mm x 594mm x 567mm
- ▶ Built-in Dimension (W x H x D): 560mm x 590mm x 550mm

6 Cooking Functions:



60cm Built-in Oven



EOB203X

Specification:

- ▶ Mechanical Timer Control with Auto-off Function
- ▶ Fan-assisted heat circulation for superior cooking results
- ▶ Fan Defrost setting is quick and hygienic
- ▶ Smooth enamel interior - easier to clean

Accessories:

- ▶ Enamel Universal Pan, Chrome Grill Tray

- ▶ 56-litre Oven Capacity
- ▶ Total Connected Load: 2.3kW
- ▶ Voltage: 230-240V
- ▶ Product Dimension (W x H x D): 595mm x 590mm x 570mm
- ▶ Built-in Dimension (W x H x D): 560mm x 575mm x 555mm

5 Cooking Functions:





Steam Oven

Get hot and steamy in the kitchen
 Bake or grill plus steam for the perfect cooking combination. Steam cooks food from the surface to the core evenly preserving juiciness, for food that is deliciously brown on the outside and moist on the inside.

A brand-new oven inspired by our professional expertise

Professional chefs combine steam with conventional cooking to get the best tastes out of their ingredients. Our CombiSteam ovens give you the same result without the effort.



How Much Steam?

Pure Steam: Food is cooked using only warm steam with a maximum temperature of 100°C. Brilliant for fish, rice, and tender young vegetables, 100% steam gives maximum retention of flavour and vitamins.

50% Steam: Perfect for reheating and cooking pre-prepared dishes to prevent food from drying out

25% Steam: Excellent for achieving a moist, tender texture inside with a crisp brown crust on the outside. Great for meat, poultry, bread, cakes, and pastries.

Smooth and Simple

A new design for the water filler tube, with a better fit and finish using a convenient push in/out knob.

EOB8851AAX



60cm Built-in CombiSteam Oven



- ▶ 5 steam and combination cooking modes for perfect cooking results
- ▶ InfiSpace™ - extra large cavity and tray for cooking flexibility
- ▶ Menu guided cooking function with 100 Auto menus for professional cooking results
- ▶ Steam cleaning - easy to clean in less time and effort
- ▶ White LCD display with touch controls
- ▶ 4-layer glass CoolDoor Xtra for added safety
- ▶ Meat Probe - ensures your fish or meat is cooked to your taste

Accessories:

- ▶ Baking Tray, Enamel Universal Pan, Patisserie, Trivet, Chrome Grill Tray, Meat Probe

Specification:

- ▶ 72-litre Oven Capacity
- ▶ Total Input Rating: 3,500W
- ▶ Voltage: 220-240V
- ▶ Frequency: 50Hz
- ▶ Product Dimension (W x H x D): 594mm x 594mm x 567mm
- ▶ Built-in Dimension (W x H x D): 560mm x 590mm x 550mm

15 Cooking Functions:





Compact Collection

Small is beautiful

Perfectly coordinated to create a compact "wall" of appliances in various configurations. Now you can personalise your kitchen to suit your taste.



60cm Compact Built-in Microwave Combi-Oven

EVY7800AAX

- ▶ 10 heating functions with microwave and combination cooking modes for perfect cooking results
- ▶ Menu guided cooking function with 90 Auto Menus
- ▶ Multilevel baking with True Fan Cooking
- ▶ White LCD Display with touch controls
- ▶ 4-layer glass CoolDoor Xtra for added safety
- ▶ Smooth enamel interior for easy cleaning

Accessories:

- ▶ Baking Tray, Chrome Grill Tray

Specification:

- ▶ 44-litre Oven Capacity
- ▶ Power setting:
 - MWO: 1,000W
 - Grill: 1,750W
 - Convection: 1,750W
 - MWO + Grill / convection: 3,350W
- ▶ Product Dimension (W x H x D): 594mm x 455mm x 567mm
- ▶ Built-in Dimension (W x H x D): 548mm x 440mm x 546mm

9 Cooking Functions:



EVY9741AAX

- ▶ 3 steam and combination cooking modes for perfect cooking results
- ▶ Menu guided cooking function with 9 Auto menus for professional cooking results
- ▶ White LCD display with touch controls
- ▶ Steam cleaning - easy to clean in less time and effort
- ▶ 4-layer glass CoolDoor Xtra for added safety
- ▶ Meat Probe - ensures your fish or meat is cooked to your taste

Accessories:

- ▶ Chrome Grill Tray, Steam Set, Meat Probe, Sponge

Specification:

- ▶ 44-litre Oven Capacity
- ▶ Total Input Rating: 3,400W
- ▶ Voltage: 230-240V
- ▶ Frequency: 50Hz
- ▶ Product Dimension (W x H x D): 594mm x 455mm x 567mm
- ▶ Built-in Dimension (W x H x D): 560mm x 450mm x 550mm

13 Cooking Functions:



Built-in Microwave Ovens

Saves space while complementing your kitchen decor with a sleek, polished finish. Allows you to whip up a variety of your favourite meals in no time.



60cm Compact Built-in Combi Steam Oven



Food cooked to perfection in a fraction of the time

Working in perfect coordination with your oven and hob, the Electrolux range of microwave ovens is like having a second oven that gives you perfectly cooked vegetables or succulent roasts, casseroles, and gratins - but faster!



Electrolux **iMPRESSO** Built-in Microwave Ovens

The Electrolux **iMPRESSO** Built-In Microwave Oven is perfect for integrated kitchens, adding both style and function for quick and healthy meals on-the-go.



Auto Cook Programmes

The Auto Cook settings lets you whip up delicious dishes with just the touch of a button. Choose from a range of settings - defrosting, heating, cooking, grilling, and much more.

EMS2540X



60cm Built-in Microwave Oven with Grill

- ▶ Electronic Rotary Control with Digital Display
- ▶ 2-in-1 Microwave with Grill
- ▶ Powerful 1,000W grill and 900W Microwave with 5 Power Levels
- ▶ Convenient Quick Start Button
- ▶ 8 Automatic Programmes

Specification:

- ▶ 25-litre Oven Capacity
- ▶ Maximum Input Rating: 1,450W
- ▶ Voltage: 220V
- ▶ Product Dimension (W x H x D): 595mm x 374mm x 388mm
- ▶ Built-in Dimension (W x H x D): 560mm x 380mm x 500mm

EMS2048X



60cm Built-in Microwave Oven with Grill

- ▶ Electronic rotary control with digital display for ease-of-use
- ▶ Combined microwave cooking with grill for superior results
- ▶ Powerful 1,000W grill and 800W microwave with 5 power levels
- ▶ Convenient quick start button
- ▶ 8 preset programmes for automatic defrost, microwave or microwave & grill

Specification:

- ▶ 20-litre Oven Capacity
- ▶ 5-level Microwave Oven Setting
- ▶ Cooking Functions: Microwave, Grill, Microwave & Grill
- ▶ Maximum Input Rating: 1,300W
- ▶ Voltage: 230V
- ▶ Product Dimension (W x H x D): 595mm x 382mm x 382mm
- ▶ Built-in Dimension (W x H x D): 560mm x 365mm x 500mm

EMS2085X



60cm Built-in Microwave Oven with Grill

- ▶ 2-in-1 Microwave with Grill
- ▶ Electronic Rotary Control with Digital Display
- ▶ Powerful 1000W Grill and 800W Microwave with 5 Power Levels
- ▶ Convenient Quick Start Button
- ▶ 8 Automatic Programmes
- ▶ Child Lock

Specification:

- ▶ 20-litre Oven Capacity
- ▶ 5-level Microwave Oven Setting
- ▶ Cooking Functions: Microwave, Grill, Microwave & Grill
- ▶ Product Dimension (W x H x D): 596 x 389 x 335mm
- ▶ Built-in Dimension (W x H x D): 560+8mm x 380+2mm x 340mm

IMPRESSO Microwave Ovens

Enjoy the convenience of a combination Grill and Microwave oven to make a variety of dishes using just your Electrolux Impresso Microwave. Whip up delicious main courses and tasty snacks and dips effortlessly, in less time. A range of Power Levels gives you the flexibility you need to cook like a pro.



SINGAPORE
GOOD
DESIGN



32L Free-standing Microwave Oven

EMS3288X

Specification:

- ▶ 4-in-1 Microwave with Grill
 - ▶ MaxFlat
 - ▶ IQ Touch
 - ▶ Microwave with 5 Power Levels
 - ▶ Convenient Quick Start Button
 - ▶ Defrost Function
 - ▶ 15 Automatic Programmes
 - ▶ 5 Steam Programmes with accessory
 - ▶ Fully Programmable Multi-stage Cooking with Timer
 - ▶ Child lock
- ▶ 32-litre Oven Capacity
 - ▶ Stainless Steel Front Trim
 - ▶ 5 Cooking Functions: Microwave, Grill, Convection, Steam with accessory, and Combination Cooking
 - ▶ Microwave 900W
 - ▶ Product Dimension (W x H x D): 498mm x 375mm x 572mm



4-in-1 Microwave with Grill

Gives you the convenience of a microwave plus the performance of an oven, grill, and steamer for the flexibility to cook a wide variety of dishes.



Auto Cook Programmes

Home cooked, gourmet meals are just a push of a button away with ideal settings for perfectly cooked dishes every time.



MaxFlat

A flat bottom cavity maximises cooking space and is easy to clean.



Defrost Function

Quickly and easily defrost frozen meat and seafood with the simple touch of a button.



Auto-Off Timer

Lets you set cooking durations with ease and convenience.



30L Free-standing Microwave Oven

EMS3087X

Specification:

- ▶ 4-in-1 Microwave with Grill
 - ▶ IQ Touch
 - ▶ Microwave with 5 Power Levels
 - ▶ Convenient Quick Start Button
 - ▶ Defrost Function
 - ▶ 14 Automatic Programmes
 - ▶ 5 Steam Programmes with accessory
 - ▶ Fully Programmable Multi-stage Cooking with Timer
 - ▶ Child lock
- ▶ 30-litre Oven Capacity
 - ▶ Stainless Steel Front Trim
 - ▶ 5 Cooking Functions: Microwave, Grill, Convection, Steam with accessory, and Combination Cooking
 - ▶ Microwave 900W
 - ▶ Product Dimension (W x H x D): 539mm x 300mm x 438mm



30L Free-standing Microwave Oven

EMS3085X

Specification:

- ▶ 3-in-1 Microwave with Grill
 - ▶ IQ Touch
 - ▶ Microwave with 5 Power Levels
 - ▶ Convenient Quick Start Button
 - ▶ Defrost Function
 - ▶ 12 Automatic Programmes
 - ▶ 5 Steam Programmes with accessory
 - ▶ Fully Programmable Cooking with Timer
 - ▶ Child lock
- ▶ 30-litre Oven Capacity
 - ▶ Stainless Steel Front Trim
 - ▶ 4 Cooking Functions: Microwave, Grill, *Steam with accessory, and Combination Cooking
 - ▶ Microwave 900W
 - ▶ Product Dimension (W x H x D): 539mm x 300mm x 438mm



Multi-tasking has never tasted better

Giving everyday dishes a fresh and delicious spin just got easier. From perfectly grilled dishes to sweet oven-baked treats, the Electrolux Impresso Microwave Oven lets you create delicious home cooked meals any way you want to.



Ambient Display
Elegant and refined, the hidden display feature offers a tasteful yet functional interface.



IQ Touch
Easy-to-use intuitive controls make your microwave oven a joy to use.

EMS2348X



23L Free-standing Microwave Oven with Grill

- ▶ 2-in-1 Microwave with Grill
- ▶ Electronic Rotary Control with LED Display
- ▶ Powerful 1000W grill and 800W Microwave with 5 Power Levels
- ▶ Convenient Quick Start Button
- ▶ Defrost Function
- ▶ 8 Automatic Programmes
- ▶ Fully Programmable Multi-stage Cooking with Timer
- ▶ Child Lock

Specification:

- ▶ 23-litre Oven Capacity
- ▶ Stainless Steel Front Trim
- ▶ 3 Cooking Functions
- ▶ Microwave 800W
- ▶ Grill 1000W
- ▶ Product Dimension (W x H x D): 485mm x 292.5mm x 370mm

EMM2318X



23L Free-standing Microwave Oven with Grill

- ▶ 2-in-1 Microwave with Grill
- ▶ Powerful 1000W grill and 800W Microwave with 5 Power Levels
- ▶ Defrost Function
- ▶ Convenient Auto-off Cooking Timer Control
- ▶ Easy Clean Cavity

Specification:

- ▶ 23-litre Oven Capacity
- ▶ Stainless Steel Front Trim
- ▶ 3 Cooking Functions
- ▶ Microwave 800W
- ▶ Grill 1000W
- ▶ Product Dimension (W x H x D): 485mm x 292.5mm x 370mm

EMM2001W



20L Free-standing Microwave

- ▶ 700W microwave with 3 Cooking Functions
- ▶ Auto Defrost

Specification:

- ▶ 20-litre Microwave Oven
- ▶ 3 Cooking Functions
- ▶ Microwave 700W
- ▶ Product Dimension (W x H x D): 439mm x 258mm x 328mm

Dishwashers

Designs on the dishes

Good looking models that think for themselves, the latest dishwashers from Electrolux will wash everything from pots and pans to fine glassware perfectly, efficiently, and unobtrusively - saving you time, energy, and money, plus drying your dishes too.

We were thinking that you deserve a dishwasher that is stylish, efficient, and easy to use

What type of dishwasher is right for you?

Built-in Dishwashers

Permanently located, these units provide operating convenience. Best of all, with KitchenFit Technology from Electrolux, you do not need to cut the upper part of the kitchen plinth to open the dishwasher door.

Countertop Dishwashers

These economical models are ideal for small families where you just need to attach a connection or an adapter to the faucet to turn it on.

Free-standing Dishwashers

Free-standing dishwashers are a great option for apartment dwellers or for those who relocate often. It can also be placed under the countertop to provide more kitchen space and to enhance the look of your kitchen.



RealLife Baskets

Creates more usable spaces to easily fit your load.



AutoFlex

Automatically adjusts the washing cycle according to your load.



Double XL Tub

Adds 15% more space for loading bigger items.



FlexiSpray Arm

Uses a satellite spray system to keep your dishes flawlessly clean.

Built for your lifestyle

From the fast and functional 30-min Quick Programme, which gives a great wash to lightly soiled dishes in a mere half hour, to the Intensive Wash Programme at 70°C, Electrolux dishwashers boast engineering excellence that will ensure cleaning up after entertaining will be a breeze.



60cm Free-standing RealLife Dishwasher

ESF7530ROX

- ▶ 30-min Quick Programme at 60°C
- ▶ Intensive Wash Programme at 70°C
- ▶ XXL Tub
- ▶ AutoFlex Programme
- ▶ RealLife Baskets
- ▶ FlexiSpray Arm
- ▶ Up to 24 Hours Delay Timer
- ▶ Flood & Leak Protection
- ▶ A++/A/A
- ▶ Time Manager

Specification:

- ▶ 13 Place Settings
- ▶ Stainless steel
- ▶ DryTech System
- ▶ Water Consumption: 10.2 Litres
- ▶ Power Consumption: 0.932kW
- ▶ Noise Level: 47 dB(A)
- ▶ Total Rated Power: 2200kW
- ▶ Voltage: 220-240V
- ▶ Frequency: 50Hz
- ▶ Product Dimension (W x H x D): 596mm x 850mm x 610mm

6 Wash Programmes:





60cm Free-standing Dishwasher

ESF5511LOX

- ▶ AutoFlex Programme
- ▶ 30-min Quick Programme at 60°C
- ▶ Intensive Wash Programme at 70°C
- ▶ Up to 24 Hours Delay Timer
- ▶ Flood & Leak Protection
- ▶ A+/A/A

Specification:

- ▶ 13 Place Settings
- ▶ Stainless Steel
- ▶ Active Drying with Recondensation
- ▶ Water Consumption: 11 Litres
- ▶ Power Consumption: 1.05kW
- ▶ Noise Level: 47 dB(A)
- ▶ Total Rated Power: 2200kW
- ▶ Voltage: 220-240V
- ▶ Frequency: 50Hz
- ▶ Product Dimension (W x H x D): 600mm x 850mm x 625mm

6 Wash Programmes:



60cm Free-standing Dishwasher

ESF5201LOW

- ▶ 30 min Quick Programme at 60°C
- ▶ Intensive Wash Programme at 70°C
- ▶ Up to 3 Hours Delay Timer
- ▶ 5 Programmes with 4 Temperature Settings
- ▶ Flood & Leak Protection
- ▶ A+/A/A

Specification:

- ▶ 13 Place Settings
- ▶ White
- ▶ Active drying with recondensation
- ▶ Water Consumption: 11 Litres
- ▶ Power Consumption: 1.039kW
- ▶ Noise Level: 49 dB(A)
- ▶ Total Rated Power: 2200kW
- ▶ Voltage: 220-240V
- ▶ Frequency: 50Hz
- ▶ Product Dimension (W x H x D): 600mm x 850mm x 625mm

5 Wash Programmes:



60cm Built-in Dishwasher

ESL5310LO

- ▶ 30min Quick program at 60°C for best in class wash
- ▶ Intensive wash program at 70°C for a hygienic result
- ▶ Convenient up to 24 hours delay timer
- ▶ 5 Programs with 4 temperature setting for washing flexibility
- ▶ Light beam projection on floor informs washing status
- ▶ Flood & Leak protection
- ▶ A+/A/A

Specification:

- ▶ 13 Place Settings
- ▶ White
- ▶ Active drying with recondensation
- ▶ Water Consumption: 11 Litres
- ▶ Power Consumption: 1.05kW
- ▶ Noise Level: 74 dB(A)
- ▶ Total Rated Power: 2200kW
- ▶ Voltage: 220-240V
- ▶ Frequency: 50Hz
- ▶ Product Dimension (W x H x D): 596mm x 818mm x 555mm
- ▶ Built-in Dimension (W x H x D): 600mm x (820-880) mm x 570mm

5 Wash Programmes:



Stylishly compact

Elegantly functional, the **Electrolux UltraView Compact Dishwasher** is a perfect addition to any kitchen. Taking up limited space on your kitchen counter yet offering excellent performance, your dishwasher can help you get through your dishwashing chores easily and with less time and effort.

Ultra VIEW



Compact and Space Saving

Ideal for small spaces yet delivers excellent cleaning performance.



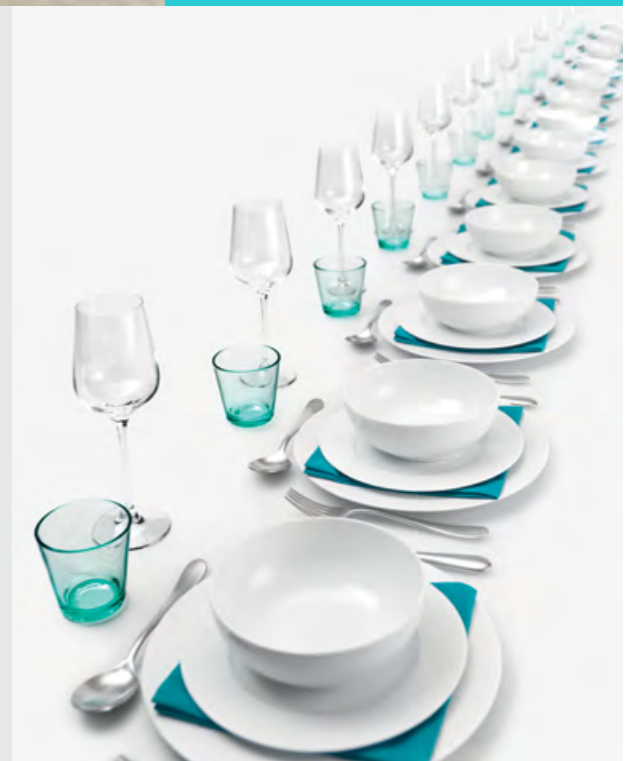
See-Through Window

Lets you monitor your wash cycle.



Intuitive Touch Controls

Gives you easy access to 5 customised wash programmes.



ESF2435W



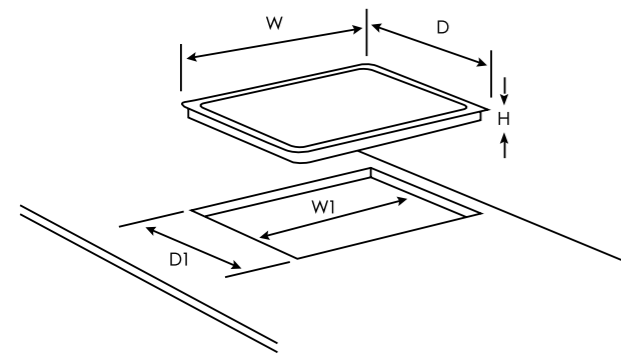
55cm Window Compact Dishwasher

- ▶ Compact Size
- ▶ Intensive Wash Programme at 70°C
- ▶ 5 Wash Programmes: Rinse, Quick, Normal, Intensive, and Eco
- ▶ Anti-flood Device
- ▶ Residual Heat Drying
- ▶ Blue Touch Control Panel
- ▶ Flexible Interior

Specification:

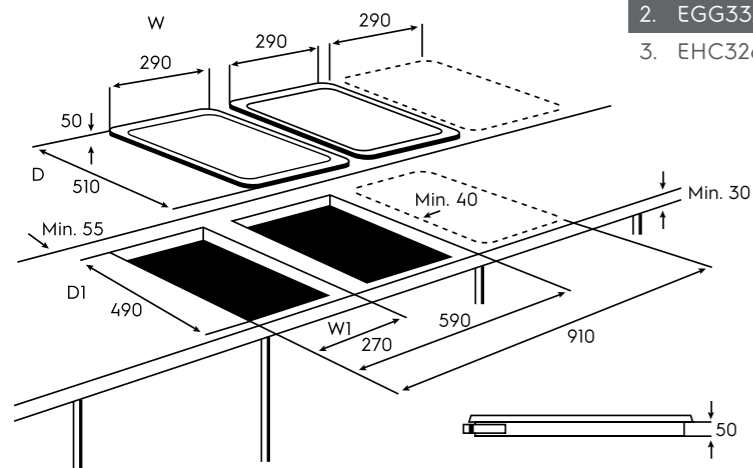
- ▶ 6 Place Settings
- ▶ White
- ▶ 5 Wash Programmes
- ▶ Cutlery Basket
- ▶ Gross Weight: 27 kg
- ▶ Net Weight: 22.5 kg
- ▶ Product Dimension (WxHxD): 550mm x 558mm x 446mm

EUROPEAN HOBS



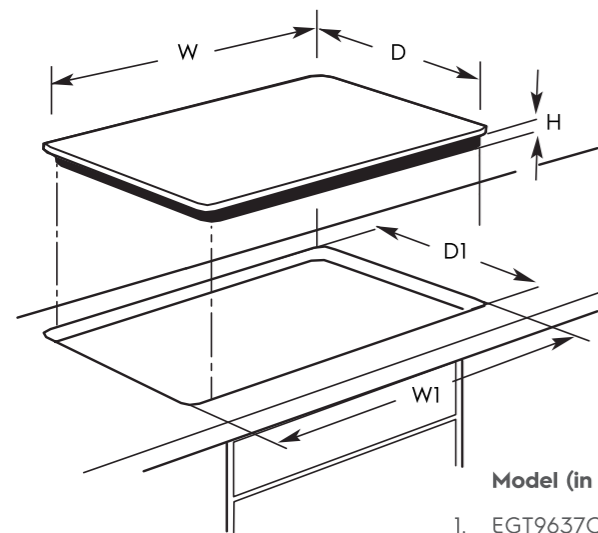
| Model (in mm.) | W | W1 | H1 | D | D1 |
|----------------|-----|-----|----|-----|-----|
| 1. EHC726BA | 700 | 649 | 55 | 420 | 400 |
| 2. EHH6332FOK | 590 | 560 | 55 | 520 | 490 |
| 3. EHED63CS | 610 | 560 | 55 | 515 | 490 |
| 4. EHEC65BS | 610 | 560 | 47 | 515 | 490 |

DOMINO HOBS



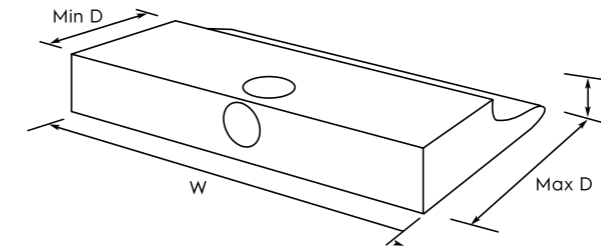
| Model (in mm.) | W | W1 | H1 | D | D1 |
|----------------------------|-----|-----|----|-----|-----|
| 1. EEH353C | 300 | 270 | 55 | 520 | 490 |
| 2. EGG3322NOX / EGG3313NOX | 290 | 270 | 30 | 510 | 490 |
| 3. EHC326BA | 320 | 300 | 55 | 520 | 490 |

HOBS



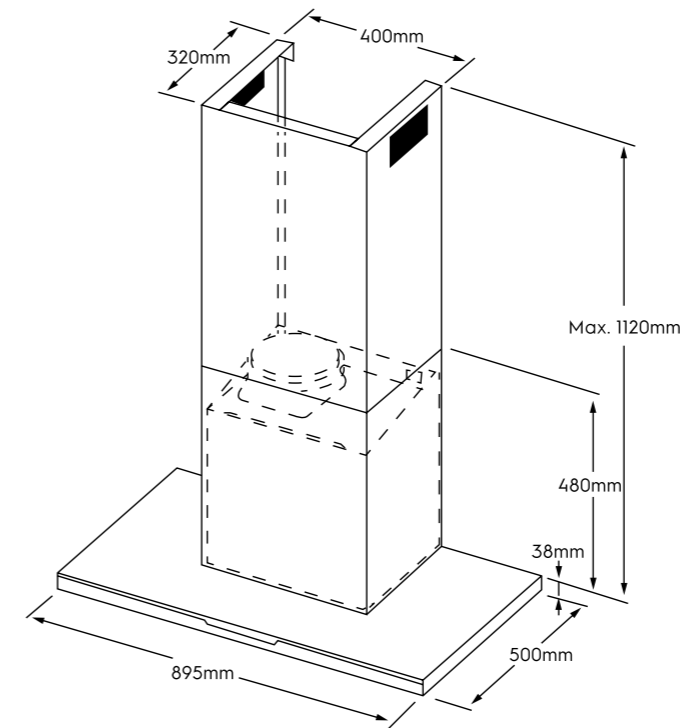
| Model (in mm.) | W | W1 | H1 | D | D1 |
|--------------------------|-----|---------|-----|-----|---------|
| 1. EGT9637CK | 894 | 832 | 57 | 508 | 470 |
| 2. EGT7627CK | 780 | 732 | 65 | 460 | 421 |
| 5. EGT7637EG / EGT7637CK | 780 | 732 | 65 | 460 | 421 |
| 5. EGT7526CK | 780 | 700 | 160 | 460 | 400 |
| 6. EGT9038CK | 890 | 750-840 | 65 | 530 | 400-480 |
| 7. EGT8028CK | 800 | 676-740 | 65 | 500 | 361-440 |
| 8. EHT9331X | 862 | 832 | 57 | 500 | 470 |
| 9. EHG7332X | 760 | 732 | 65 | 460 | 421 |

SLIMLINE HOODS



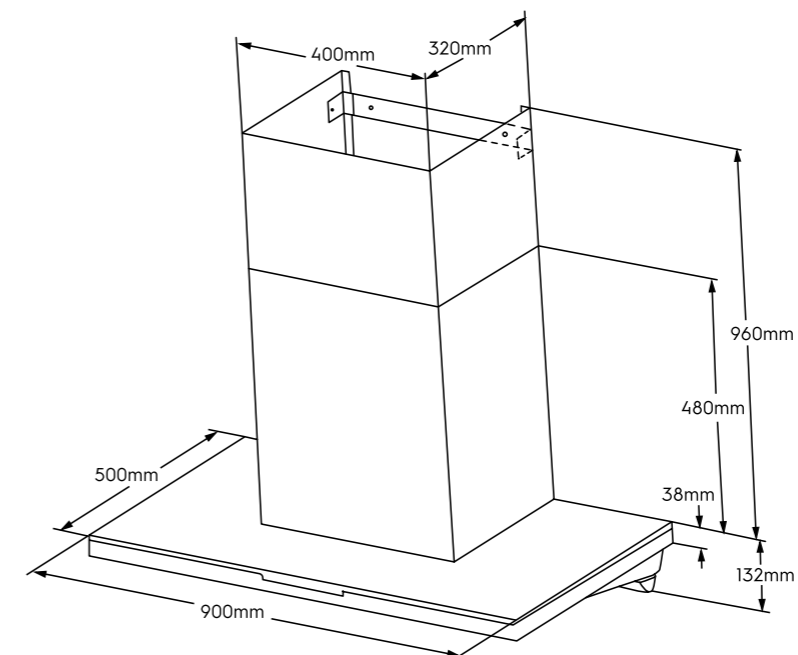
| Model (in mm.) | W | Min H | D |
|----------------|-----|-------|-----|
| 1. EFT9516X | 900 | 135 | 500 |

INSPIRATION CHIMNEY HOODS



| Model (in mm.) | W | H | D |
|----------------|-----|----------|-----|
| 1. EFC926BAR | 895 | 518-1158 | 500 |
| 2. EFB90680BX | 898 | 800-940 | 470 |
| 3. EFC935SAR | 900 | 565-1060 | 504 |

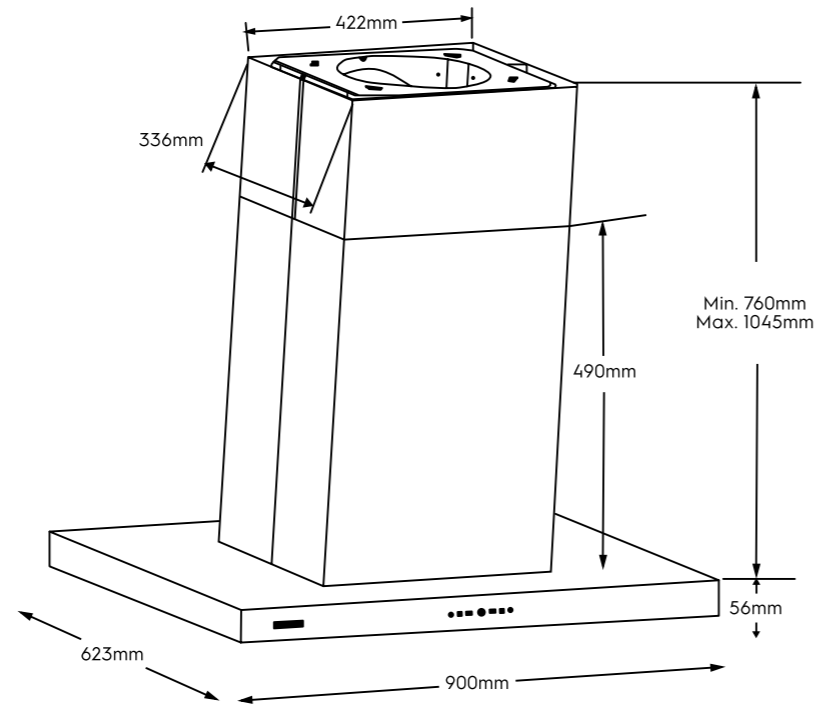
DUAL FILTER STAINLESS STEEL HOOD



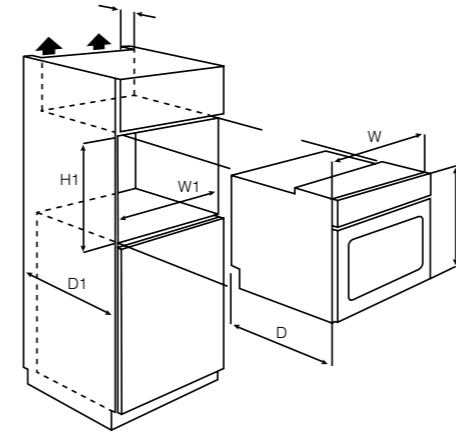
EFC926SA

ISLAND COOKER HOOD

EFL925MAR

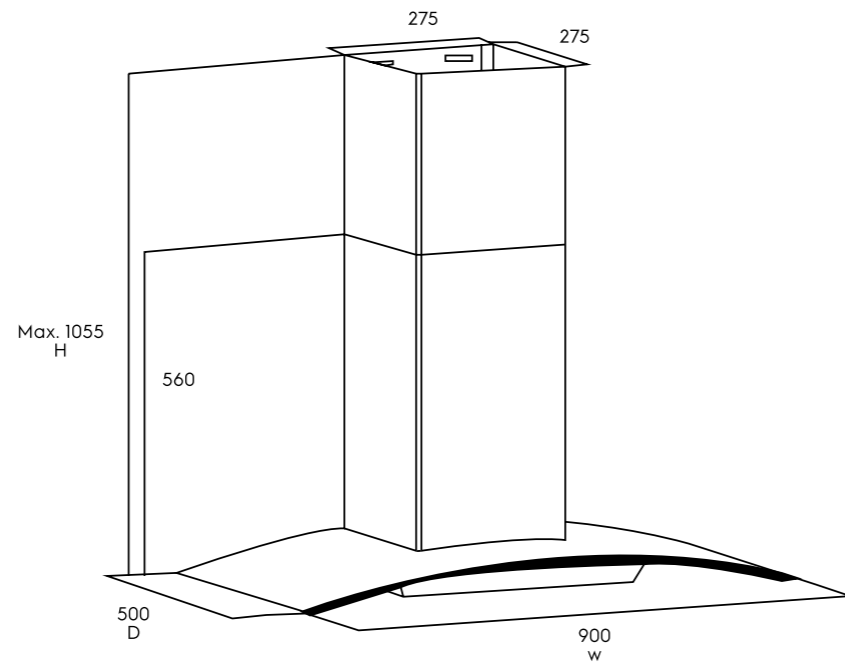


BUILT-IN OVENS



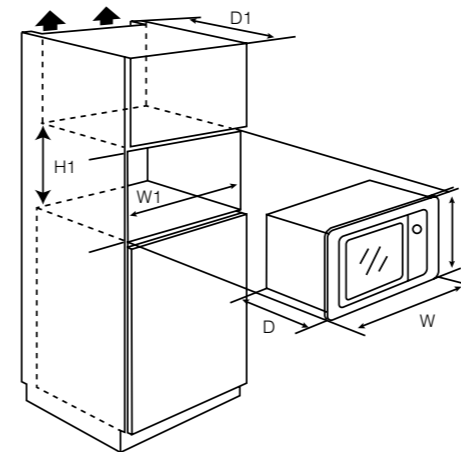
| Model (in mm.) | W | W1 | H | H1 | D | D1 |
|--|-----|-----|-----|-----|-----|-----|
| 1. EVY9741AAX | 594 | 560 | 455 | 440 | 567 | 546 |
| 2. EOY5851AAX / EOB8851AAX / EOB5751BAX / EOB5410BOX | 594 | 560 | 594 | 590 | 567 | 550 |
| 3. EOB3400BOX / EOB2400AOX / EOB2200BOX | 594 | 560 | 594 | 590 | 567 | 550 |
| 4. EOB2100COX | 594 | 560 | 590 | 593 | 560 | 550 |
| 5. EOB203X | 595 | 560 | 590 | 575 | 570 | 555 |

DESIGNER GLASS CHIMNEY HOOD



| Model (in mm.) | W | H | D |
|----------------|-----|----------|-----|
| 1. EFC936GAR | 900 | 560-1055 | 500 |

BUILT-IN MICROWAVE OVENS



| Model (in mm.) | W | W1 | H | H1 | D | D1 |
|----------------|-----|-----|-----|-----|-----|--------|
| 1. EMS2540X | 595 | 560 | 374 | 380 | 388 | 500 |
| 2. EMS2085X | 596 | 560 | 389 | 380 | 335 | min340 |

The Thoughtful Design Innovator.

Do you remember the last time you opened a gift that made you say, "Oh! How did you know? That's exactly what I wanted!"? That's the kind of feeling that we at Electrolux seek to evoke in everyone who chooses or uses one of our products. We devote time, knowledge, and a great deal of thought to anticipating and creating the kind of appliances that our customers really need and want.

This kind of thoughtful care means innovation with insight. Not design for design's sake, but design for the user's sake. For us, thoughtful design means making appliances easier to use and tasks more enjoyable to perform, freeing our customers to experience the ultimate 21st century luxury: ease of mind. Our aim is to make this ease of mind more available to more people in more parts of their everyday lives, all over the world.

The "Thinking of you" promise from Electrolux goes beyond meeting the needs of today's consumers. It also means we're committed to making appliances safe for the environment – now and for future generations.

Electrolux. Thinking of you.

Share more of our thinking at www.electrolux.com



Designed & engineered in Europe

SINGAPORE

Electrolux SEA Pte Ltd
No. 1, Fusionopolis Place,
Galaxis #07-10
Singapore 138522.



Customer Care Services: +(65) 6727 3699
Fax: +(65) 6727 3611
E-mail: customer-care.sin@electrolux.com
Website: www.electrolux.com.sg

Follow us on  facebook.com/thelittlewhitebook

Dealer Stamp